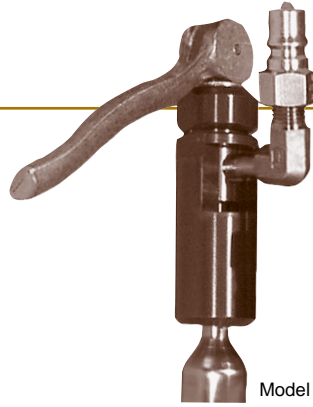


12 series

**FOR CHARGING
OR PLUGGING SHORT
OR EXPANDED TUBES**

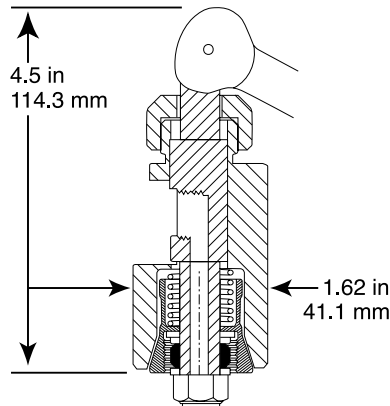
Features:

- Especially designed for helium leak testing
- Contains no O-rings or quad-rings to be permeated by test media
- Requires a minimum tube protrusion of only .200"-.500" (5mm-12mm)
- Tube OD range from .320"-1.019" (8mm-30mm)
- Opposing force of collet and seal minimize tube distortion or damage
- Maximum pressure 121, 122 to 750 psi (53Kg/cm², 52 Bar)
123, 124 to 350 psi (24Kg/cm², 24 Bar)
125 to 250 psi (17Kg/cm², 17 Bar)



Model No. 122

Shown with optional elbow and quick connect



Straight



Short



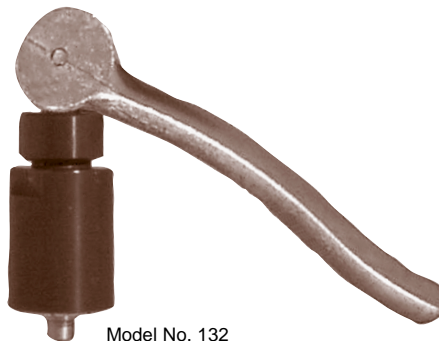
Expanded



Swaged

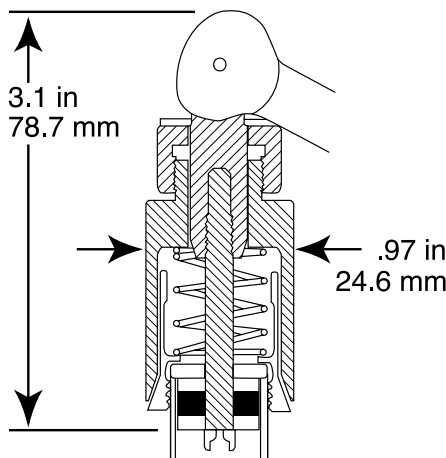
Features:

- Requires a minimum tube protrusion of only .200" (5mm)
- Wide range of sizes to fit tube ODs from .320"-.639" (8.1mm-16.2mm)
- Vacuum to 10 microns and pressure to 750 psi (53Kg/cm², 52 Bar)
- Opposing forces of collet and seal minimize tube distortion or damage



Model No. 132

US Patent 4,154,465
Canadian Patent 1,077,082



13 series

**FOR PLUGGING SHORT
OR EXPANDED TUBES**



Straight



Short



Expanded



Swaged



12 & 13 series

MODEL	TUBE ID RANGE		SEAL SIZE	TUBE OD RANGE		COLLET SIZE
	INCHES	MM		INCHES	MM	
121 131	0.295 - 0.325	7.49 - 8.26	.315	0.320 - 0.339	8.13 - 8.61	.330
	0.326 - 0.345	8.27 - 8.76	.335	0.340 - 0.359	8.62 - 9.12	.350
	0.346 - 0.365	8.77 - 9.27	.355	0.360 - 0.379	9.13 - 9.63	.370
	0.366 - 0.385	9.28 - 9.78	.375	0.380 - 0.399	9.64 - 10.13	.390
	0.386 - 0.405	9.79 - 10.29	.395	0.400 - 0.419	10.14 - 10.64	.410
	0.406 - 0.425	10.30 - 10.80	.415	0.420 - 0.439	10.65 - 11.15	.430
	0.426 - 0.445	10.81 - 11.30	.435	0.440 - 0.459	11.16 - 11.66	.450
122 132	0.446 - 0.465	11.31 - 11.81	.455	0.460 - 0.479	11.67 - 12.17	.470
	0.466 - 0.485	11.82 - 12.32	.475	0.480 - 0.499	12.18 - 12.67	.490
	0.486 - 0.505	12.33 - 12.83	.495	0.500 - 0.519	12.68 - 13.18	.510
	0.506 - 0.525	12.84 - 13.34	.515	0.520 - 0.539	13.19 - 13.69	.530
	0.526 - 0.545	13.35 - 13.84	.535	0.540 - 0.559	13.70 - 14.20	.550
	0.546 - 0.565	13.85 - 14.35	.555	0.560 - 0.579	14.21 - 14.71	.570
	0.566 - 0.585	14.36 - 14.86	.575	0.580 - 0.599	14.72 - 15.21	.590
	0.586 - 0.605	14.87 - 15.37	.595	0.600 - 0.619	15.22 - 15.72	.610
123	0.606 - 0.625	15.38 - 15.88	.615	0.620 - 0.639	15.73 - 16.23	.630
	0.626 - 0.645	15.89 - 16.38	.635	0.640 - 0.659	16.24 - 16.74	.650
	0.646 - 0.665	16.39 - 16.89	.655	0.660 - 0.679	16.75 - 17.25	.670
	0.666 - 0.685	16.90 - 17.40	.675	0.680 - 0.699	17.26 - 17.75	.690
	0.686 - 0.705	17.41 - 17.91	.695	0.700 - 0.719	17.76 - 18.26	.710
	0.706 - 0.725	17.92 - 18.42	.715	0.720 - 0.739	18.27 - 18.77	.730
	0.726 - 0.745	18.43 - 18.92	.735	0.740 - 0.759	18.78 - 19.28	.750
	0.746 - 0.765	18.93 - 19.43	.755	0.760 - 0.779	19.29 - 19.79	.770
	0.766 - 0.785	19.44 - 19.94	.775	0.780 - 0.799	19.80 - 20.29	.790
	0.786 - 0.805	19.95 - 20.45	.795	0.800 - 0.819	20.30 - 20.80	.810
124	0.806 - 0.825	20.46 - 20.96	.815	0.820 - 0.839	20.81 - 21.31	.830
	0.826 - 0.845	20.97 - 21.46	.835	0.840 - 0.859	21.32 - 21.82	.850
	0.846 - 0.865	21.47 - 21.97	.855	0.860 - 0.879	21.83 - 22.33	.870
	0.866 - 0.885	21.98 - 22.48	.875	0.880 - 0.899	22.34 - 22.83	.890
	0.886 - 0.905	22.49 - 22.99	.895	0.900 - 0.919	22.84 - 23.34	.910
	0.906 - 0.925	23.00 - 23.50	.915	0.920 - 0.939	23.35 - 23.85	.930
	0.926 - 0.945	23.51 - 24.00	.935	0.940 - 0.959	23.86 - 24.36	.950
	0.946 - 0.965	24.01 - 24.51	.955	0.960 - 0.979	24.37 - 24.87	.970
	0.966 - 0.985	24.52 - 25.02	.975	0.980 - 0.999	24.88 - 25.37	.990
125	0.986 - 1.005	25.03 - 25.53	.995	1.000 - 1.019	25.38 - 25.88	1.010
	1.006 - 1.025	25.54 - 26.04	1.015	1.020 - 1.039	25.89 - 26.39	1.030
	1.026 - 1.045	26.05 - 26.54	1.035	1.040 - 1.059	26.40 - 26.90	1.050
	1.046 - 1.065	26.55 - 27.05	1.055	1.060 - 1.079	26.91 - 27.41	1.070
	1.066 - 1.085	27.06 - 27.56	1.075	1.080 - 1.099	27.42 - 27.91	1.090
	1.086 - 1.105	27.57 - 28.07	1.095	1.100 - 1.119	27.92 - 28.42	1.110
	1.106 - 1.125	28.08 - 28.58	1.115	1.120 - 1.139	28.43 - 28.93	1.130
	1.126 - 1.145	28.59 - 29.08	1.135	1.140 - 1.159	28.94 - 29.44	1.150
	1.146 - 1.165	29.09 - 29.59	1.155	1.160 - 1.179	29.45 - 29.95	1.170
	1.166 - 1.185	29.60 - 30.10	1.175	1.180 - 1.199	29.96 - 30.45	1.190
	1.186 - 1.205	30.11 - 30.61	1.195	1.200 - 1.219	30.46 - 30.96	1.210
	1.206 - 1.225	30.62 - 31.12	1.215	1.220 - 1.239	30.97 - 31.47	1.230
	1.226 - 1.245	31.13 - 31.62	1.235	1.240 - 1.259	31.48 - 31.98	1.250
	1.246 - 1.265	31.63 - 32.13	1.255	1.260 - 1.279	31.99 - 32.49	1.270
1.266 - 1.285	32.14 - 32.64	1.275	1.280 - 1.299	32.50 - 32.99	1.290	